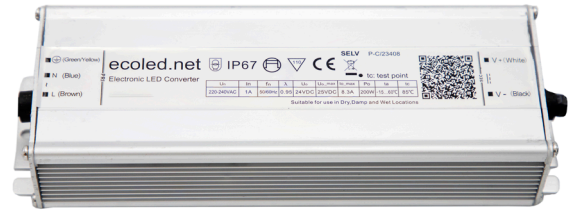


Ref: 40.015

Features:

- Protection against transient main peaks
- Electrical short-circuit protection
- Overload protection: reversible
- Protection against “no load” operation
- Degree of protection: IP67
- Protection class I
- SELV



Technical data for installation	Power (W)	200W	
	Voltage (V)	220V - 240V	
	Operational mains voltage limits min.	198V	
	Operational mains voltage limits max.	264V	
	Mains frequency for Safety min / max.	45Hz - 66Hz	
	Mains frequency for Safety nom.	50Hz - 60Hz	
	Maximum driver per MCB	6 pcs	
	operational mains temperature limits min / max.	-15 °C / 60°C	
Performance	Current output	8.3mA	
	Voltage output (V)	24V	
	Output Voltage Tolerance	97% - 103%	
	Percent of the output current ripple	200mV	
	System Efficiency	92%	
	Power factor	0.95	
	THD	20%	
	Thermal protection	110°	
	Turn-on delay time	0.5s	
	Degree of protection	IP67	
Robustness	Input-output	>3.75kV	
	Input-FG	>1.5kV	
	Failure rate	0.25% / 1000Hrs	<0.1% - 1000h
	life by T case life	10% failures - 30.000 - Tc 85Deg full load	30.000h <10% fail rate Tc
Dimming	Dimmable	no	
	Dimming interface DALI	no	
	Push	no	
	Control phase	no	
	Bluetooth	no	
	Dimming interface 1-10V	no	
Other	Dimension	207x68.5x37mm	
	Housing material	aluminium	
	Weight	0.84kg	
	Guarantee	5 years	



Assembly and Safety Information

Applied standards CE:

- EN55015
- EN61547
- IEC 62384:2006
- GB24825-2009

Measurements:

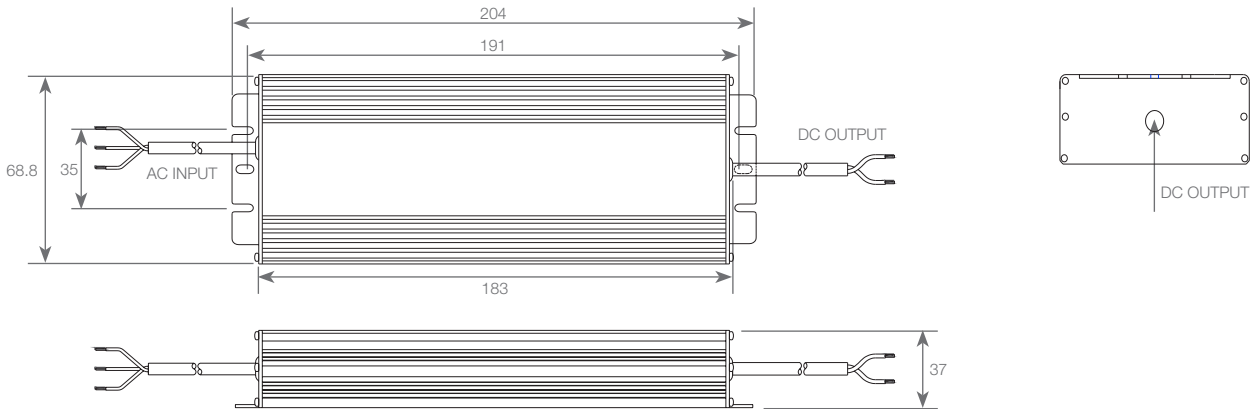


Diagram:

